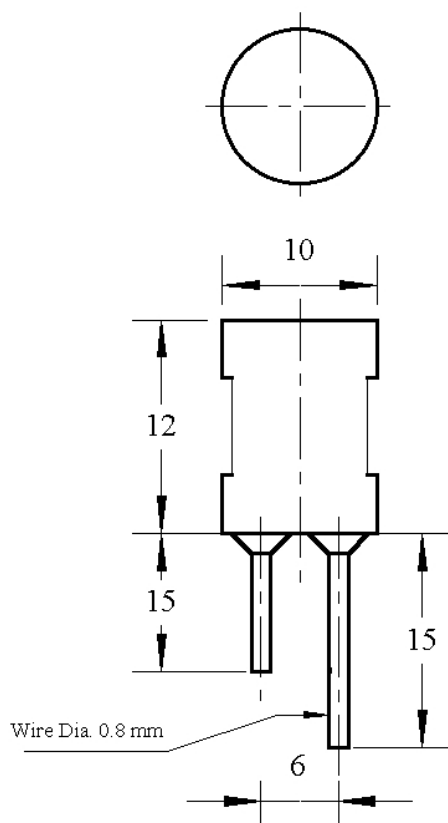


Fixed Inductors - 1012 Series

Inductance $\mu\text{H} \pm 10\%$	DC Current Amps (Continuous)
47	1.90
68	1.60
100	1.30
150	1.00
220	0.88
330	0.70
470	0.60
680	0.50
1000	0.40
1500	0.33
2200	0.27
3300	0.22
4700	0.19

The DC current rating is the current at which the inductance falls to 90% of nominal



All dimensions in mm

Ferrite Core Fixed Inductors with Radial Leads 1012 Series

Data sheet Ref: APS-109 (16/12/03)

PACE
COMPONENTS



Pace Components Ltd

Unit 38 Ballmoor
Buckingham Industrial Park
Buckingham MK18 1RQ

T 01280 822733

F 01280 823839

E sales@pacecomponents.co.uk
www.pacecomponents.co.uk

INCORPORATING
PACE
POWER MAGNETICS
DIVISION