

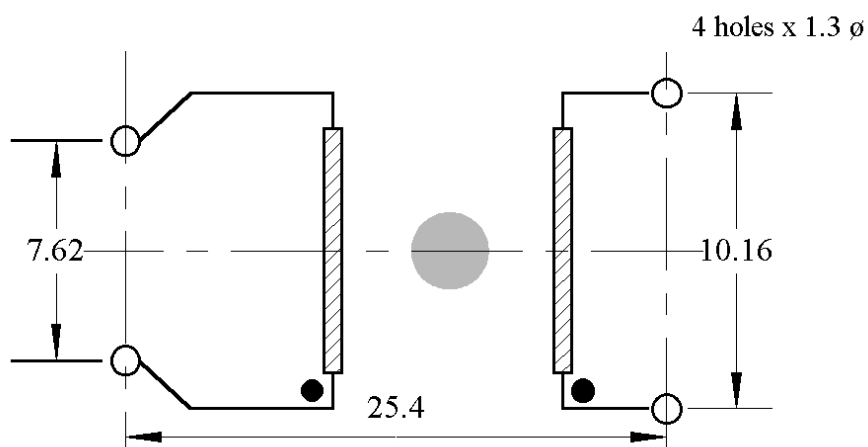
## Common Mode - C Series

(actual size H32, W32, D12)

PACE Part No.	Inductance mH (per phase)	DC Current (Amps)	Typical Resistance ( $\Omega$ )
C010	18	1	0.64
C020	7.5	2	0.16
C030	3.2	3	0.071
C040	2.4	4	0.04
C060	1.4	6	0.019
C080	0.74	8	0.0096
C0120	0.494	12	0.005

OTHER VARIATIONS AVAILABLE ON REQUEST

Voltage Rating 250Vac Operating Temperature -25C to +100C Line Frequency DC to 440Hz Flame Retardant Carrier



All dimensions in mm

## Chokes Common Mode C Series

Data sheet Ref: APS-101 (11/12/03)

**PACE**  
COMPONENTS



### Pace Components Ltd

Unit 38 Ballmoor  
Buckingham Industrial Park  
Buckingham MK18 1RQ

T 01280 822733

F 01280 823839

E sales@pacecomponents.co.uk  
[www.pacecomponents.co.uk](http://www.pacecomponents.co.uk)

INCORPORATING  
**PACE**  
POWER MAGNETICS  
DIVISION